

Connectivity  
CDB (Connection Device Basic) / CDB620

CDB620-001



**Model Name** > [CDB620-001](#)  
**Part No.** > [1042256](#)



*Product may differ  
from illustration*

**At a glance**

- Very small design
- Two mounting holes for rapid and precise installation
- Connection diagram integrated in lid
- Logical and easily accessible screw/spring-loaded terminals
- Configuration by switch
- IP 65 connection of a scanner using SICK standard cable
- Strain relief for cables through cable glands
- Service plug for direct access to the AUX interface

**Your benefits**

- Low space requirement
- Rapid installation saves time
- Logical wiring to peripherals saves time
- Easy, rapid troubleshooting
- Small investment
- Extremely rapid exchange of scanners through use of a Connection Module Cloning (CMC) unit



**Features**

Brief description:	Small connection module for one sensor, 4 cable glands, base for CMC600
Supported products:	CLV42x CLV43x CLV44x CLV45x CLV48x CLV49x CLX49x CLV62x CLV63x CLV64x CLV65x ICR84x-2 ICR85x-2 <sup>1)</sup> RFH62x
Supports display module (CMD):	no
Supports power supply module (CMP):	no
Supports fieldbus gateway (CMF):	no
Supports cloning module (CMC):	yes

1) With special cable with special cable with special cable;

## Interfaces

Serial (RS-232, RS-422/485):	✓
Remark (Serial (RS-232, RS-422/485)):	depending on sensor connected
CAN-Bus:	✓
Remark (CAN-Bus):	depending on sensor connected
Ethernet:	-
PROFIBUS:	-
PROFINET:	-
DeviceNet:	-
Switching inputs:	depending on sensor connected
Switching outputs:	depending on sensor connected
Optical indicators:	9 LED

## Mechanics/electronics

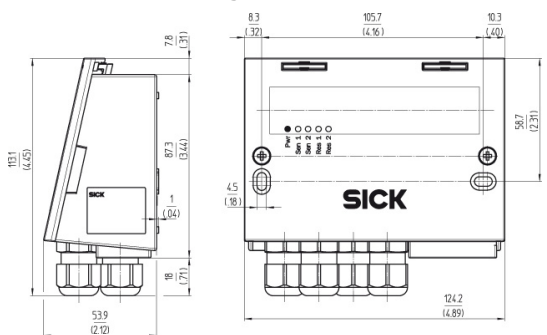
Operating voltage:	Supply voltage of the connected scanner + 1 V
Power consumption:	16 W
Housing:	Polycarbonate
Enclosure rating:	IP 65 <sup>1)</sup>
Protection class:	3 (VDE 0106)
Weight:	250 g
Dimensions:	124.2 mm x 113.1 mm x 53.9 mm
Housing color:	Blue (RAL 5012)
Scanner connection:	15 pin D-Sub HD socket
Service plug:	9 pin D-Sub HD socket (internal)

1) When using a SICK scanner standard connecting cable;

## Ambient data

Storage temperature:	-20 °C ... 70 °C
Permissible relative humidity:	90 %, non-condensing
Ambient operating temperature:	0 °C ... 40 °C

## Dimensional drawing



**Australia**

Phone +61 3 9497 4100  
1800 33 48 02 – tollfree  
E-Mail sales@sick.com.au

**Belgium/Luxembourg**

Phone +32 (0)2 466 55 66  
E-Mail info@sick.be

**Brasil**

Phone +55 11 3215-4900  
E-Mail sac@sick.com.br

**Ceská Republika**

Phone +420 2 57 91 18 50  
E-Mail sick@sick.cz

**China**

Phone +852-2763 6966  
E-Mail ghk@sick.com.hk

**Danmark**

Phone +45 45 82 64 00  
E-Mail sick@sick.dk

**Deutschland**

Phone +49 211 5301-301  
E-Mail kundenservice@sick.de

**España**

Phone +34 93 480 31 00  
E-Mail info@sick.es

**France**

Phone +33 1 64 62 35 00  
E-Mail info@sick.fr

**Great Britain**

Phone +44 (0)1727 831121  
E-Mail info@sick.co.uk

**India**

Phone +91-22-4033 8333  
E-Mail info@sick-india.com

**Israel**

Phone +972-4-999-0590  
E-Mail info@sick-sensors.com

**Italia**

Phone +39 02 27 43 41  
E-Mail info@sick.it

**Japan**

Phone +81 (0)3 3358 1341  
E-Mail support@sick.jp

**Nederlands**

Phone +31 (0)30 229 25 44  
E-Mail info@sick.nl

**Norge**

Phone +47 67 81 50 00  
E-Mail austefjord@sick.no

**Österreich**

Phone +43 (0)22 36 62 28 8-0  
E-Mail office@sick.at

**Polska**

Phone +48 22 837 40 50  
E-Mail info@sick.pl

**Republic of Korea**

Phone +82-2 786 6321/4  
E-Mail info@sickkorea.net

**Republika Slovenija**

Phone +386 (0)1-47 69 990  
E-Mail office@sick.si

**România**

Phone +40 356 171 120  
E-Mail office@sick.ro

**Russia**

Phone +7 495 775 05 34  
E-Mail info@sick-automation.ru

**Schweiz**

Phone +41 41 619 29 39  
E-Mail contact@sick.ch

**Singapore**

Phone +65 6744 3732  
E-Mail admin@sicksgp.com.sg

**Suomi**

Phone +358-9-25 15 800  
E-Mail sick@sick.fi

**Sverige**

Phone +46 10 110 10 00  
E-Mail info@sick.se

**Taiwan**

Phone +886 2 2375-6288  
E-Mail sales@sick.com.tw

**Türkiye**

Phone +90 216 587 74 00  
E-Mail info@sick.com.tr

**United Arab Emirates**

Phone +971 4 8865 878  
E-Mail info@sick.ae

**USA/Canada/México**

Phone +1(952) 941-6780  
1 800-325-7425 – tollfree  
E-Mail info@sickusa.com

More representatives and agencies  
in all major industrial nations at  
[www.sick.com](http://www.sick.com)